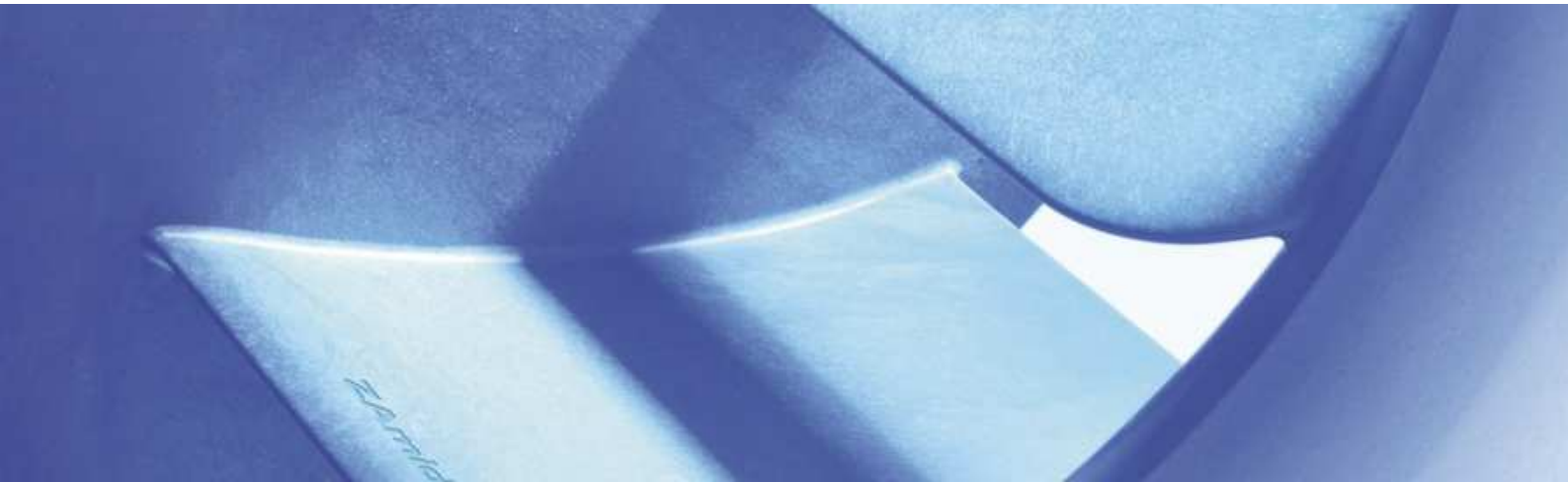


Movement by Perfection



The Royal League in **ventilation**, control and drive technology



[Product documentation](#)

Type
RH22V-2EP.WC.2R

Article number
113236

Product documentation

Customer

ZIEHL-ABEGG Contact

Project

ZIEHL-ABEGG Subsidiary
Brazil
ZIEHL-ABEGG do Brazil Imp.,
Exp. e Com. de Equipamentos
de Ventilação Ltda.
Rua Osasco, 1.295
Centro Empresarial Anhanguera
Cajamar -SP - CEP 07753-040
BRAZIL
Phone + 55 11 2898-0827
www.ziehl-abegg.com.br
info@ziehl-abegg.com.br

Type
RH22V-2EP.WC.2R

Article number
113236



Contents

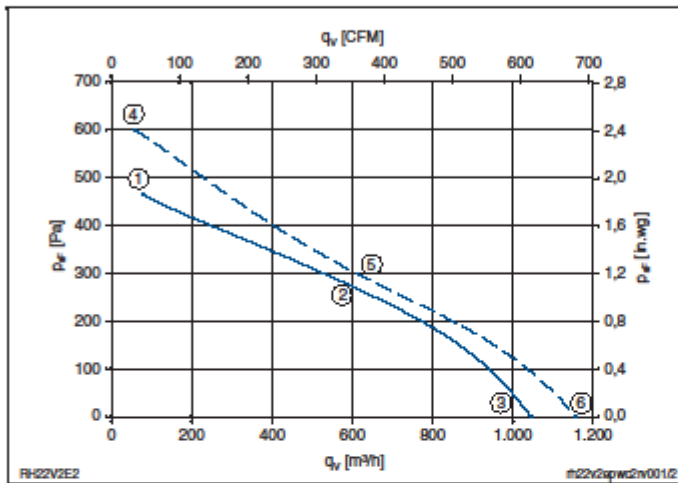
1.	Rubriküberschrift1 (CB_AF_Headline1)	Erro! Indicador não definido.
----	--------------------------------------	-------------------------------

1. Product specification

Technical data

Article number	113236
Type	RH22V-2EP.WC.2R
Designation	Single inlet impeller with backward curved blades.
Rated values	1~230V 50Hz P ₁ 140W 0,60A ΔI=0% 2550/min 4,0uF/400V 60°C 1~230V % 60Hz P ₁ 190W 0,82A ΔI=0% 2600/min 4,0uF/400V 40°C
Electrical connection	Supply cable variable (axial + radial) 4x 0,50mm ² x 45cm
Min. operating temperature [°C]	- 5
Cable quality	H03V2V2-F
Painting stator	Stator unpainted
coating rotor	Rotor with 1 coatpaint
Colour sheet rotor	1K RAL 5002 (ultramarine blue)
Material impeller	Impeller made of High Performance Composite Material
Painting impeller	unpainted
Colour impeller	black
Connection diagram	1360-177X
Installation position	H/Vu/Vo
Motor protection	thermal contact
Type of protection	zzz_xx
Thermal class	Thermal class 155
Balancing	6,3
Quality of bearings	ball bearing with long-time lubrication
Labelling UL/CSA	zzz_xx
Weight kg	2,55
ErP Data	Does not comply with the stipulations of the ErP regulations

2. Characteristic curve

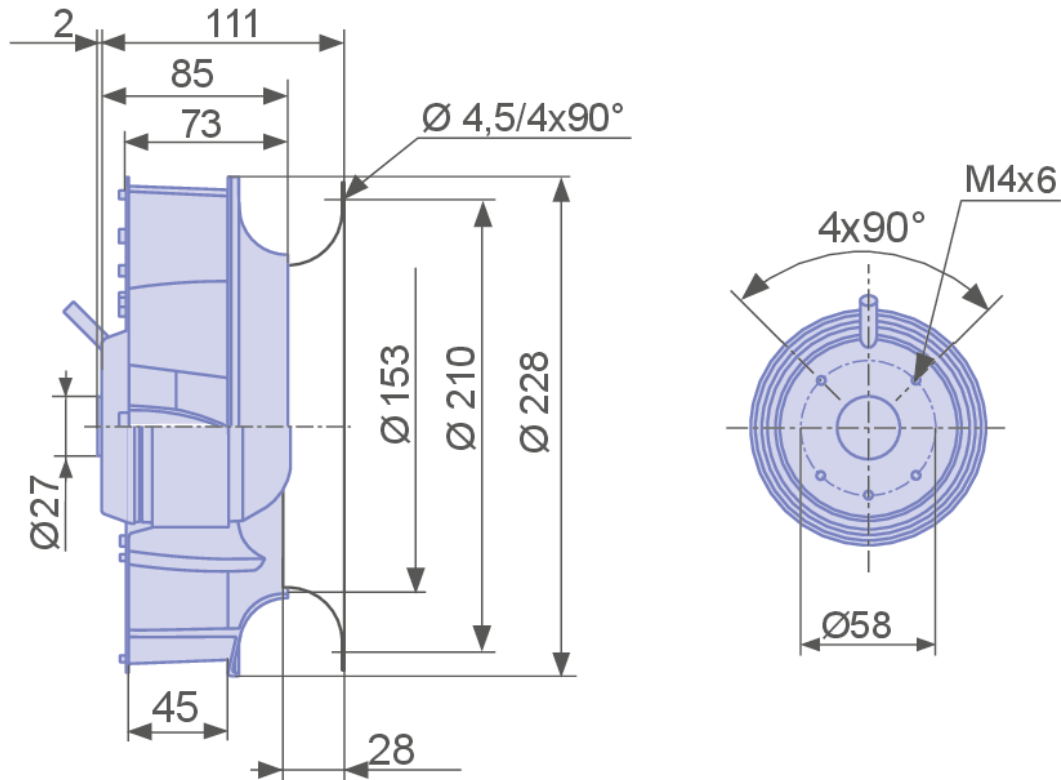


50Hz	U	I	P ₁	n	L _{max}
	V	A	W	min ⁻¹	dB
①	0,44	100	2790		
②	230	0,59	135	2530	65
③	0,53	120	2640	76	

60Hz	U	I	P ₁	n	L _{max}
	V	A	W	min ⁻¹	dB
④	0,89	150	3170		
⑤	230	0,82	185	2640	67
⑥	0,77	175	2880	77	

$$P_{st} = 4,3 \cdot 10^{-5} \cdot q_v^2$$

3. Drawing



L-KL-2613-3-1

Dimensions in mm
Shown drawing is just to show the dimensions of the fan.

4. Connection diagram

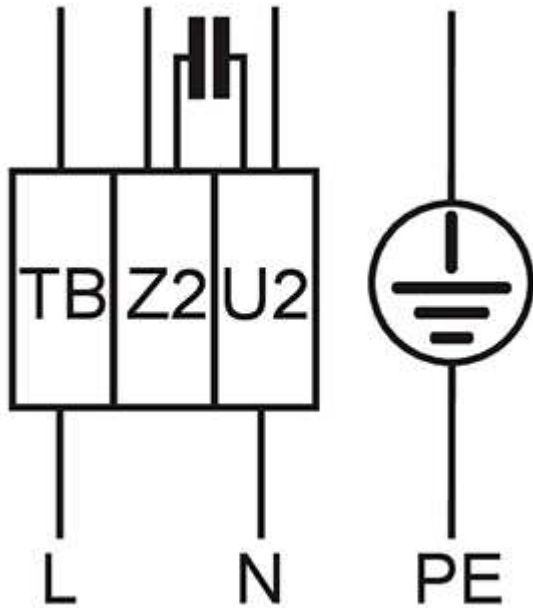
1360-177X

1~ Motor with capacitor and thermostatic switch.

U2 blue or grey

Z2 black

TB brown



5. EU-Declaration of conformity



The Royal League in ventilation, control and drive technology

Intelligent control technology for any application

ZIEHL-ABEGG system capabilities:

Everything from a single source – perfectly matched for optimal performance

Please contact us. We would be pleased to design an individual solution for your requirements.

We would like to welcome you on our worldwide exhibitions. Please find our next exhibitions [here](#).